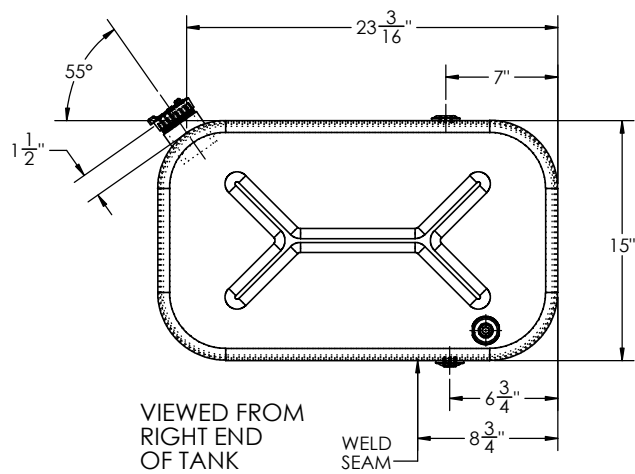
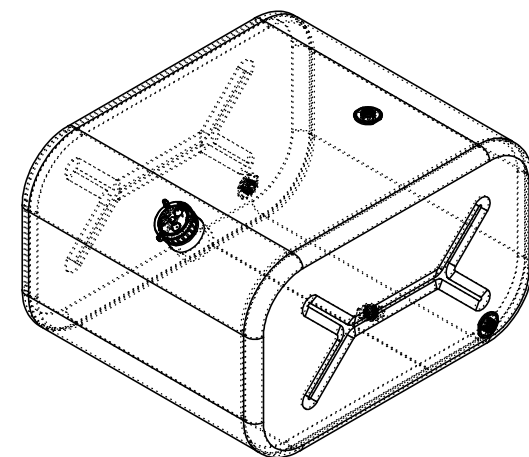
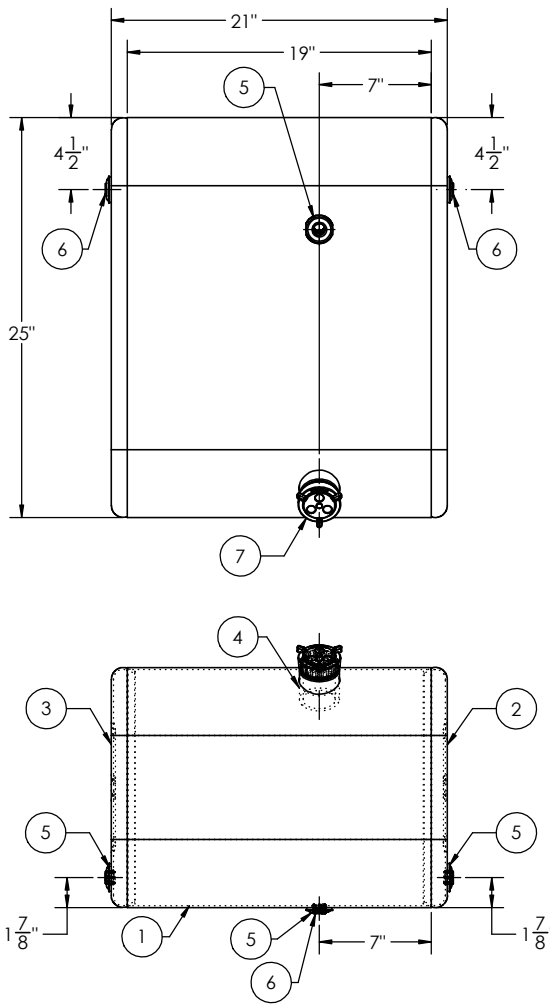


GALLONS	31	29	N/A	N/A
LITERS	118	112	N/A	N/A
	TOTAL CAPACITY	USEABLE CAPACITY	TOTAL CAPACITY	USEABLE CAPACITY
	DIESEL FUEL		BIO-DIESEL/ HYDRAULIC/WATER	

REVISIONS				
ZONE	REV.	DESCRIPTION	DATE	APPROVED
	A	INITIAL RELEASE	08/18/2022	GG



ITEM NO.	PART NUMBER	DESCRIPTION	QTY.
1	BRL-AT-IN-2004	1 1/8" TANK BARREL	1
2	ECP-1525-RIGHT 4.5	15" X 25" MILGRADE ALUMINUM RECTANGULAR END CAP WITH 1/2" FLANGE 4-1/2" FROM RIGHT	1
3	ECP-1525-LEFT 4.5	15" X 25" MILGRADE ALUMINUM RECTANGULAR END CAP WITH 1/2" FLANGE 4-1/2" FROM LEFT	1
4	FLN-0481012230	3" LONG - 2" NPSM - 11.5 TPI MILGRADE ALUMINUM FILL NECK	1
5	FLG-050220	1/2" NPTF MILGRADE ALUMINUM FLANGE	4
6	94135	1/2" SOCKET PIPE PLUG 3/4" TAPER NPTF ZINC	3
7	FCP-1330 (600133)	2" NON-VENTED, NON-LOCK CAP	1

INTERNATIONAL PART NUMBER: 1653746C93

TITLE: 15" X 25" X 19" TANK		UNLESS OTHERWISE SPECIFIED:		DRAWN		NAME		DATE	
SIZE C	REV	QC	INITIALS	DIMENSIONS ARE IN INCHES		TOLERANCES:		CHECKED	
		PSI		FRACTIONAL ±		ANGULAR: MACH ± BEND ±		ENG APPR.	
		DIMS		TWO PLACE DECIMAL ±		THREE PLACE DECIMAL ±		MFG APPR.	
		PARTS		INTERPRET GEOMETRIC TOLERANCING PER:		G.A.		COMMENTS:	
	TAG			MATERIAL:		5052 H32 ALUMINUM		11317 N. US HWY 14 800-652-6630	
	PKG			FINISH:		SEE BOM		HARVARD, IL 60033 815-943-6649 FAX 855-774-6918	
				DO NOT SCALE DRAWING				WWW.ALUMITANK.COM INFO@ALUMITANK.COM	
								DWG. NO. AT-IN-2004-GAL	
								SCALE: 1:6 WEIGHT: 28.59 SHEET 1 OF 1	
								REV. A	

