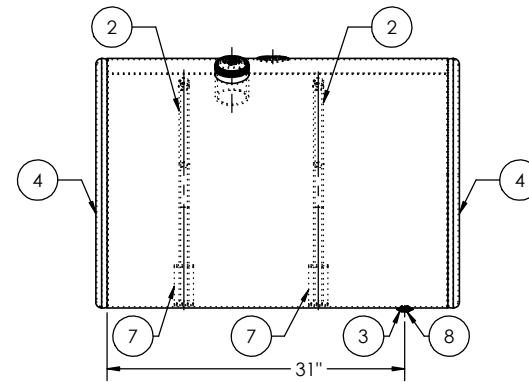
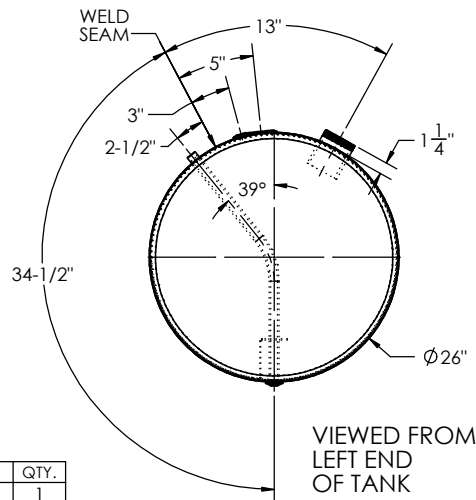
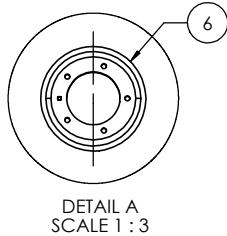
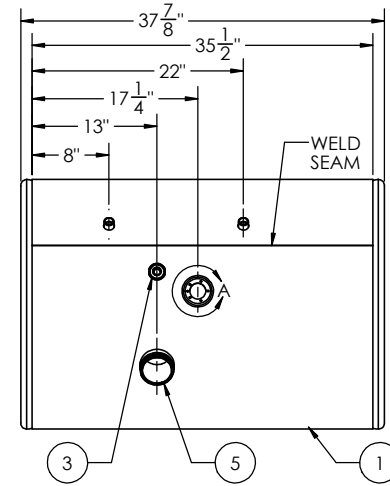
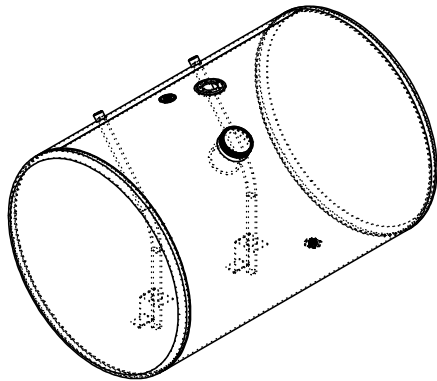


GALLONS	83	79	N/A	N/A
LITERS	316	300	N/A	N/A
	TOTAL CAPACITY	USEABLE CAPACITY	TOTAL CAPACITY	USEABLE CAPACITY
	DIESEL FUEL		BIO-DIESEL/ HYDRAULIC/WATER	

REVISIONS				
ZONE	REV.	DESCRIPTION	DATE	APPROVED
	A	INITIAL RELEASE	04/07/2023	GG



ITEM NO.	PART NUMBER	DESCRIPTION	QTY.
1	BRL-AT-IN-1024	1/8" TANK BARREL	1
2	TBS-501200	1/2" NPTF TUBE	2
3	FLG-050220	1/2" NPTF MILGRADE ALUMINUM FLANGE	2
4	ECP-4160012100	26" MILGRADE ALUMINUM END CAP	2
5	FLN-0641212210	4" LONG - 3" NPSM - 8 TPI MILGRADE ALUMINUM FILL NECK	1
6	BSE-00182220	CURVED MILGRADE ALUMINUM SENDER BASE	1
7	STR-001 (DIA 26.00 TUBE 1.125)	SMALL TUBE STABILIZER (1.125)	2
8	94135	1/2" SOCKET PIPE PLUG 3/4" TAPER NPTF ZINC	1

VIEWED FROM LEFT END OF TANK

INTERNATIONAL PART NUMBER: 2587376C94

TITLE: 26" X 35.5" TANK				UNLESS OTHERWISE SPECIFIED:		NAME	DATE
SIZE	REV	QC	INITIALS	DIMENSIONS ARE IN INCHES	FRACTIONAL: *	DRAWN	
		PSI		TOLERANCES:	ANGULAR: MATCH * BEND *	CHECKED	
		DIMS		TWO PLACE DECIMAL	THREE PLACE DECIMAL *	ENG APPR.	
		PARTS		INTERPRET GEOMETRIC TOLERANCING PER:		MFG APPR.	
TAG		MATERIAL	5052 H32 ALUMINUM	FINISH	SEE BOM	COMMENTS:	
PKG		DO NOT SCALE DRAWING					

11317 N. US HWY 14 HARVARD, IL 60033 815-943-6649

800-652-6630 FAX 855-774-6918 WWW.ALUMITANK.COM INFO@ALUMITANK.COM

AlumiTank[®]

THE FUEL TANK SPECIALIST

DWG. NO. **AT-IN-1024-GAL** REV. **A**

SCALE: 1:10 | WEIGHT: 53.33 | SHEET 1 OF 1