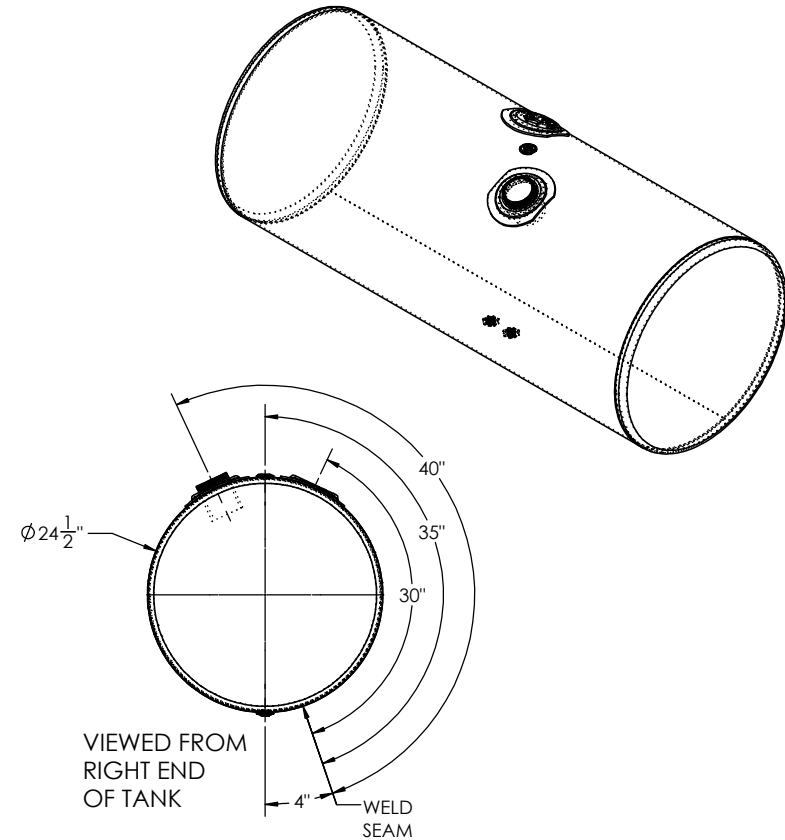
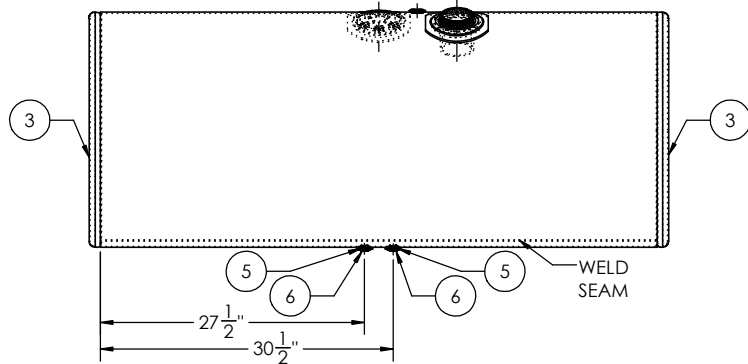
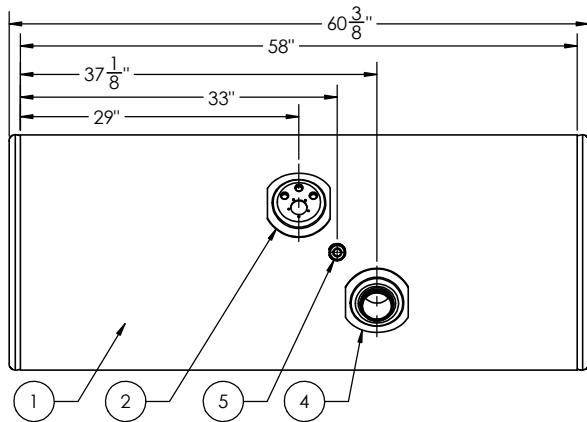


GALLONS	119	113	N/A	N/A
LITERS	450	428	N/A	N/A
	TOTAL CAPACITY	USEABLE CAPACITY	TOTAL CAPACITY	USEABLE CAPACITY
	DIESEL FUEL		BIO-DIESEL/ HYDRAULIC/WATER	

REVISIONS				
ZONE	REV.	DESCRIPTION	DATE	APPROVED
	A	INITIAL RELEASE	03/14/2022	GG



ITEM NO.	PART NUMBER	DESCRIPTION	QTY.
1	BRL-AT-KW-1088	1/8" TANK BARREL	1
2	ADP-832210	MILGRADE ALUMINUM KENWORTH ADAPTER PLATE	1
3	ECP-3920012100	24 1/2 MILGRADE ALUMINUM END CAP	2
4	FLN-801212200	MILGRADE ALUMINUM KENWORTH FILL NECK	1
5	FLG-050220	1/2" NPTF MILGRADE ALUMINUM FLANGE	3
6	94135	1/2" SOCKET PIPE PLUG 3/4" TAPER NPTF ZINC	2

KENWORTH PART NUMBER: K424-0737N0943U120

TITLE:		24.5"x58" Tank		UNLESS OTHERWISE SPECIFIED:		NAME	DATE
SIZE	REV	QC	INITIALS	DIMENSIONS ARE IN INCHES			
		PSI		TOLERANCES:			
C		DIMS		FRACTIONAL: ±			
		PARTS		ANGULAR: MACH ± BEND ±			
		TAG		TWO PLACE DECIMAL ±			
		PKG		THREE PLACE DECIMAL ±			
PROPRIETARY AND CONFIDENTIAL THE INFORMATION CONTAINED IN THIS DRAWING IS THE SOLE PROPERTY OF ALUMITANK. ANY REPRODUCTION IN PART OR AS A WHOLE WITHOUT THE WRITTEN PERMISSION OF ALUMITANK IS PROHIBITED.				INTERPRET GEOMETRIC TOLERANCING PER:		COMMENTS:	
				MATERIAL:		11317 N. US HWY 14 HARVARD, IL 60033 815-943-6649	
				FINISH:		800-652-6630 FAX 855-774-6918 WWW.ALUMITANK.COM INFO@ALUMITANK.COM	
				DO NOT SCALE DRAWING		DWG. NO. AT-KW-1088-GAL	
						REV. A	
						SCALE: 1:10 WEIGHT: 69.00 SHEET 1 OF 1	