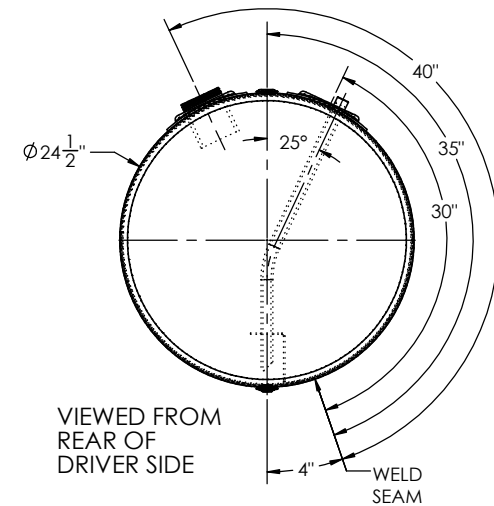
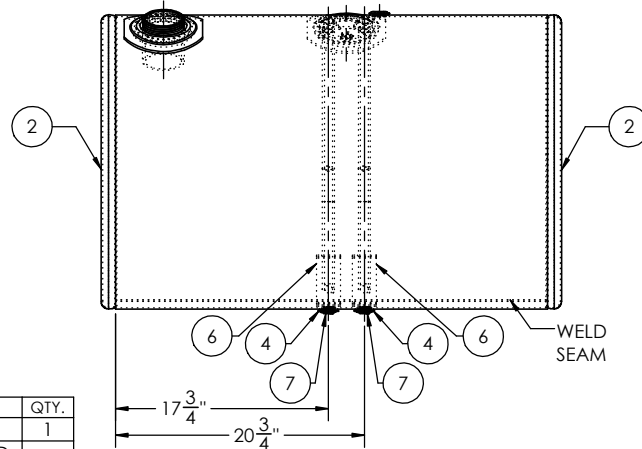
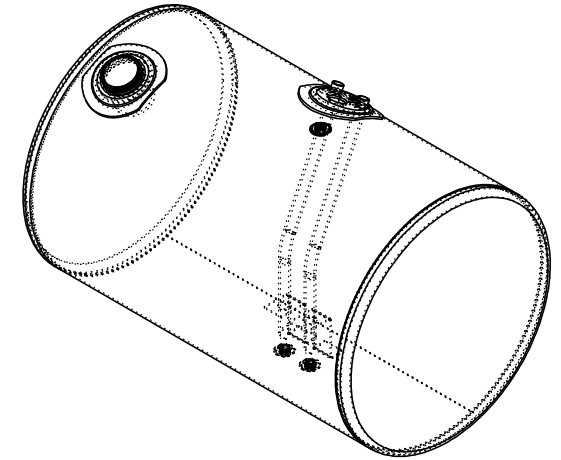
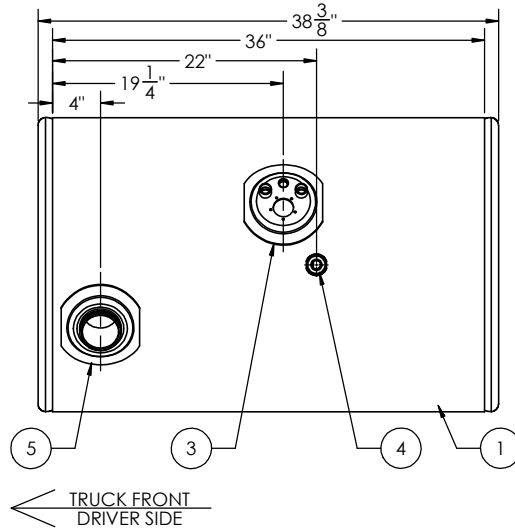


GALLONS	75	71	N/A	N/A
LITERS	284	270	N/A	N/A
	TOTAL CAPACITY	USEABLE CAPACITY	TOTAL CAPACITY	USEABLE CAPACITY
	DIESEL FUEL		BIO-DIESEL/ HYDRAULIC/WATER	

REVISIONS				
ZONE	REV.	DESCRIPTION	DATE	APPROVED
	A	INITIAL RELEASE	02/02/2022	GG



KENWORTH PART NUMBER: K444-0486N0102U075

ITEM NO.	PART NUMBER	DESCRIPTION	QTY.
1	BRL-AT-KW-1084	1/8" TANK BARREL	1
2	ECP-3920012100	24 1/2 MILGRADE ALUMINUM END CAP	2
3	ADP-83222392	24 1/2 MILGRADE ALUMINUM KENWORTH ADAPTER PLATE WITH TUBES	1
4	FLG-050220	1/2" NPTF MILGRADE ALUMINUM FLANGE	3
5	FLN-801212200	MILGRADE ALUMINUM KENWORTH FILL NECK	1
6	STR-001 (DIA 24.50 TUBE 1.125)	SMALL TUBE STABILIZER (1.125)	2
7	94135	1/2" SOCKET PIPE PLUG 3/4" TAPER NPTF ZINC	2

TITLE:		UNLESS OTHERWISE SPECIFIED:		NAME	DATE
SIZE	REV	QC	INITIALS		
		PSI			
C		DIMS			
		PARTS			
		TAG			
		PKG			

DRAWN	CHECKED	ENG APPR.	MFG APPR.	Q.A.	COMMENTS:

<small>DIMENSIONS ARE IN INCHES TOLERANCES: FRACTIONAL: ± ANGULAR: MACH ± BEND ± TWO PLACE DECIMAL ± THREE PLACE DECIMAL ±</small>		<small>MATERIAL: 5052 H32 ALUMINUM FINISH: SEE BOM DO NOT SCALE DRAWING</small>
--	--	---

<small>11317 N. US HWY 14 HARVARD, IL 60033 815-943-6649</small>		<small>800-452-6630 FAX 855-774-6918 WWW.ALUMITANK.COM INFO@ALUMITANK.COM</small>
DWG. NO. AT-KW-1084-GAL		REV. A
<small>SCALE: 1:8</small>		<small>WEIGHT: 50.90</small>
<small>SHEET 1 OF 1</small>		