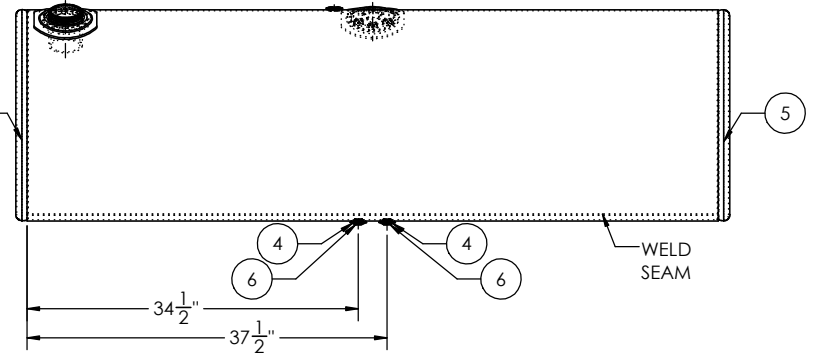
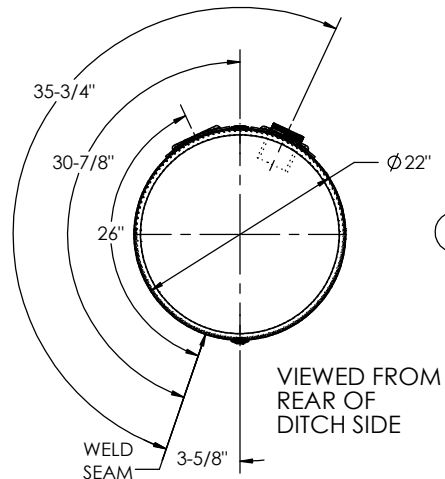
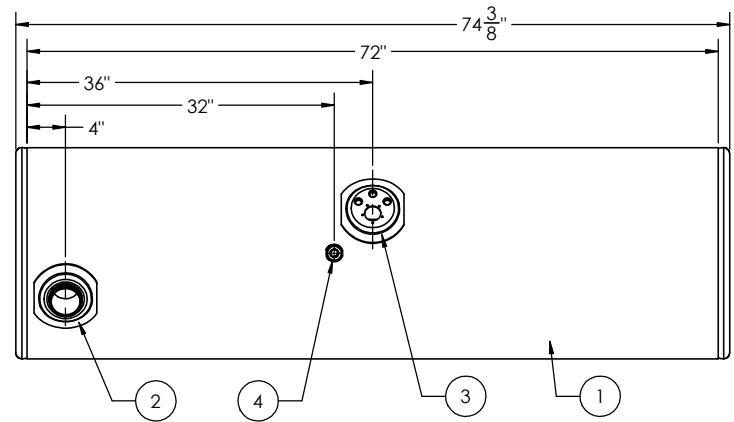
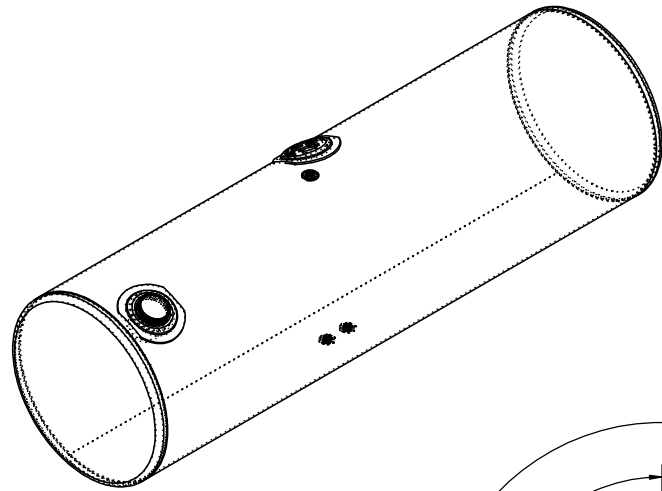


GALLONS	118	112	N/A	N/A
LITERS	447	425	N/A	N/A
	TOTAL CAPACITY	USEABLE CAPACITY	TOTAL CAPACITY	USEABLE CAPACITY
	DIESEL FUEL		BIO-DIESEL/ HYDRAULIC/WATER	

REVISIONS				
ZONE	REV.	DESCRIPTION	DATE	APPROVED
	A	INITIAL RELEASE	03/11/2022	GG



TRUCK FRONT
DITCH SIDE →

ITEM NO.	PART NUMBER	DESCRIPTION	QTY.
1	BRL-AT-KW-1064	1/8" TANK BARREL	1
2	FLN-801212300	POLISHED ALUMINUM KENWORTH FILL NECK	1
3	ADP-832310	POLISHED ALUMINUM KENWORTH ADAPTER PLATE	1
4	FLG-050230	1/2" NPTF POLISHED ALUMINUM FLANGE	3
5	ECP-3520013100	22" POLISHED ALUMINUM END CAP	2
6	94135	1/2" SOCKET PIPE PLUG 3/4" TAPER NPTF ZINC	2

KENWORTH PART NUMBER: K422-0915N0102K121

TITLE: 22" X 72" TANK		UNLESS OTHERWISE SPECIFIED:		NAME	DATE
SIZE C	REV	QC	INITIALS	DRAWN	
		PSI		CHECKED	
		DIMS		ENG APPR.	
	PARTS			MFG APPR.	
	TAG			QA:	
	PKG			COMMENTS:	

DIMENSIONS ARE IN INCHES
 TOLERANCES:
 FRACTIONAL ±
 ANGULAR: MACH ± BEND ±
 TWO PLACE DECIMAL ±
 THREE PLACE DECIMAL ±
 INTERPRET GEOMETRIC TOLERANCING PER:
 MATERIAL: 5052 H32 ALUMINUM
 FINISH: SEE BOM
 DO NOT SCALE DRAWING

11317 N. US HWY 14 HARVARD, IL 60033 815-943-6649
 800-652-6630 FAX 855-774-6918 WWW.ALUMITANK.COM INFO@ALUMITANK.COM
 DWG. NO. AT-KW-1064-GAL REV. A
 SCALE: 1:10 | WEIGHT: 72.74 | SHEET 1 OF 1