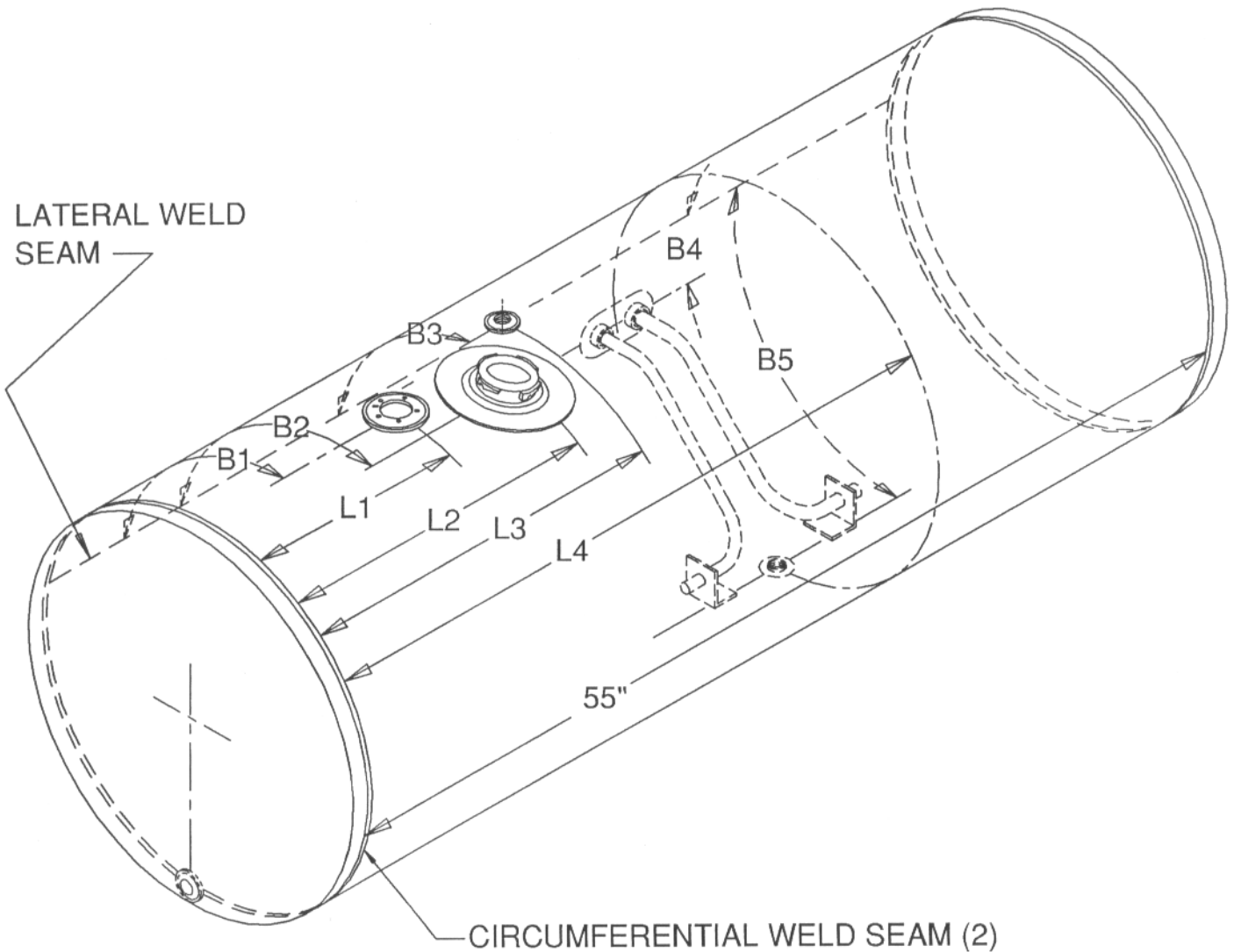


STERLING STYLE 100 GALLON 23" DIAMETER



ALL MEASUREMENTS ARE TAKEN FROM WELD SEAMS, EITHER CIRCUMFERENTIAL OR LATERAL.

FUEL GAUGE LOCATION L1 X B1 _____ STANDARD IS S/W TYPE

FILL NECK LOCATION L2 X B2 _____ STANDARD IS 3" BAYONET TYPE CONNECTION

VENT LOCATION L3 X B3 _____ STANDARD SIZE IS 1/2" NPT

FUEL DRAW/RETURN/CROSSOVER LOCATION L4 x B4 _____ STD IS 3/8 AND 1/2" NPT

BOTTOM DRAIN LOCATION L4 x B5 _____ STANDARD SIZE IS 1/2" NPT

AUX. DRAIN/DRAW - FRONT HEAD @ BOTTOM-OPTIONAL (YES/NO) _____ STD. IS 1/2" NPT

ALL TANKS COME WITHOUT A FILL CAP UNLESS OTHERWISE SPECIFIED.

NOTE: PLEASE FILL IN ALL "L" AND "B" DIMENSIONS, AND NOTE ANY PREFERENCES IN FITTINGS SIZES. THEN FAX A COPY TO *ALUMITANK* AT 262 - 736 - 4203. IF YOU HAVE ANY QUESTIONS, PLEASE CALL 800 - 652 - 6630.