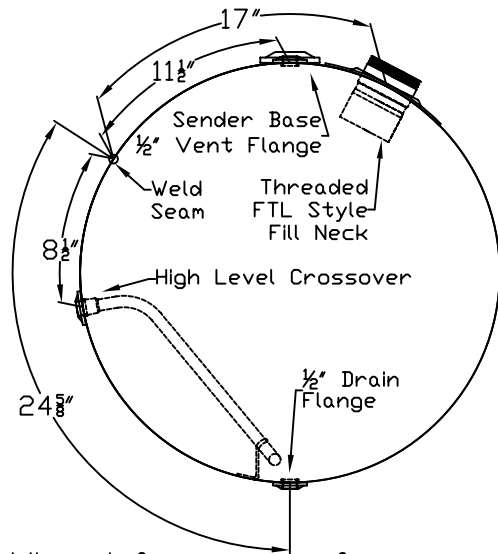


# 23" 120 Gallon Ditch Side Feightliner Style Blank Worksheet

POLISHED

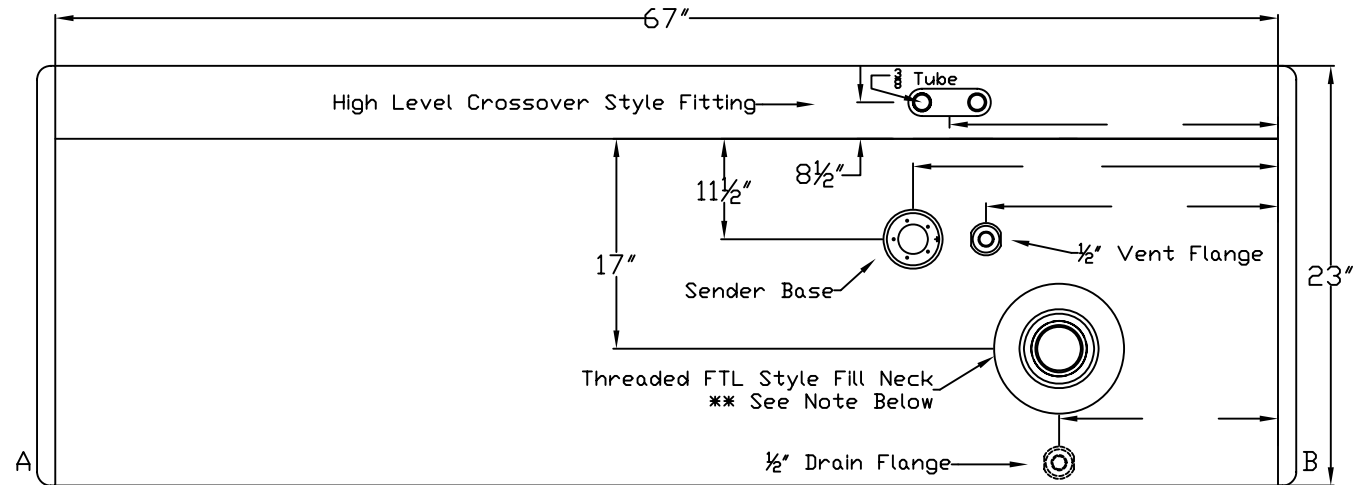
MILGRADE



Viewed from rear of ditch side.

## Freightliner Style

TRUCK FRONT  
DITCH SIDE



Reference all Measurements from BOTH the end cap weld and lateral weld seams to the center of the opening.

All Sizes are NPTF unless otherwise noted.

CBH - 7.14.10

\*\* Note: We supply a threaded style neck & non-locking fuel cap to all customers in lieu of their OEM Freightliner Style Fill Neck. When the cap is screwed on the neck this looks just like the OEM Style version. The only difference between the two is the threading.