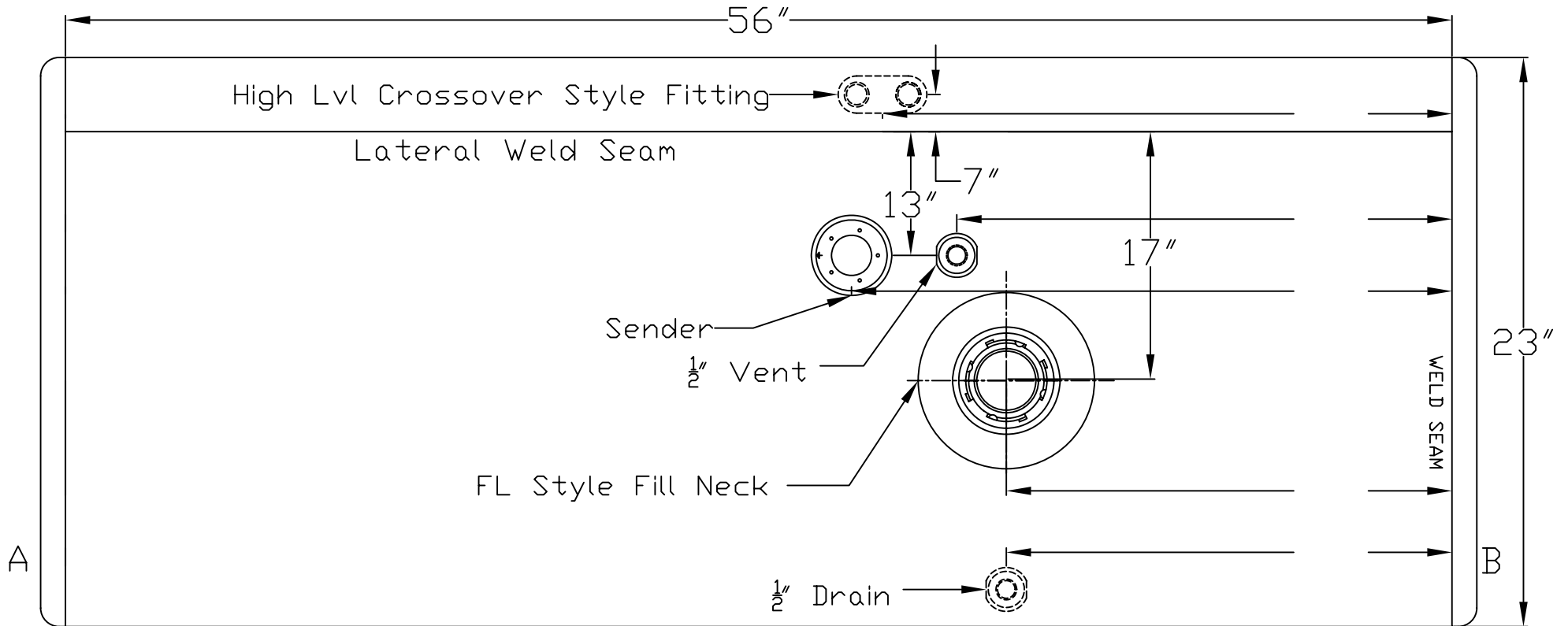


Freightliner Style

TRUCK FRONT
DITCH SIDE



Note: Reference all measurements from both weld seams to the center of the opening.