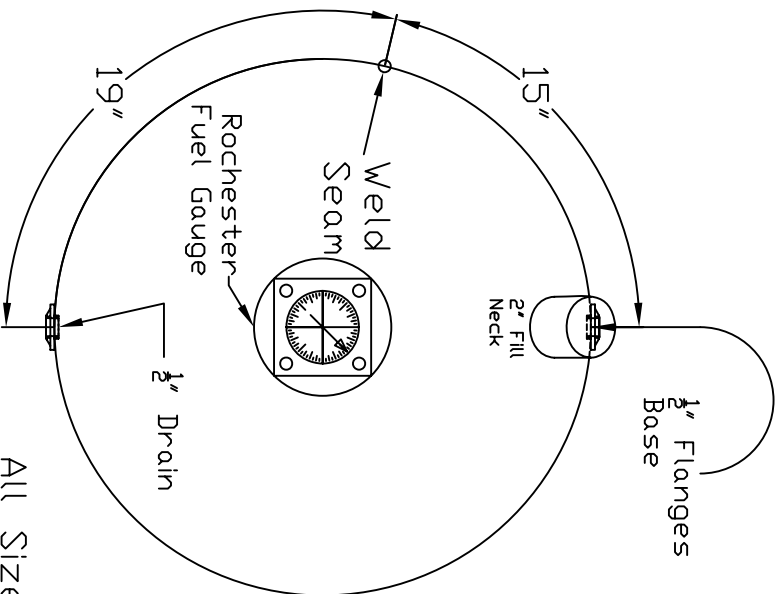


#117

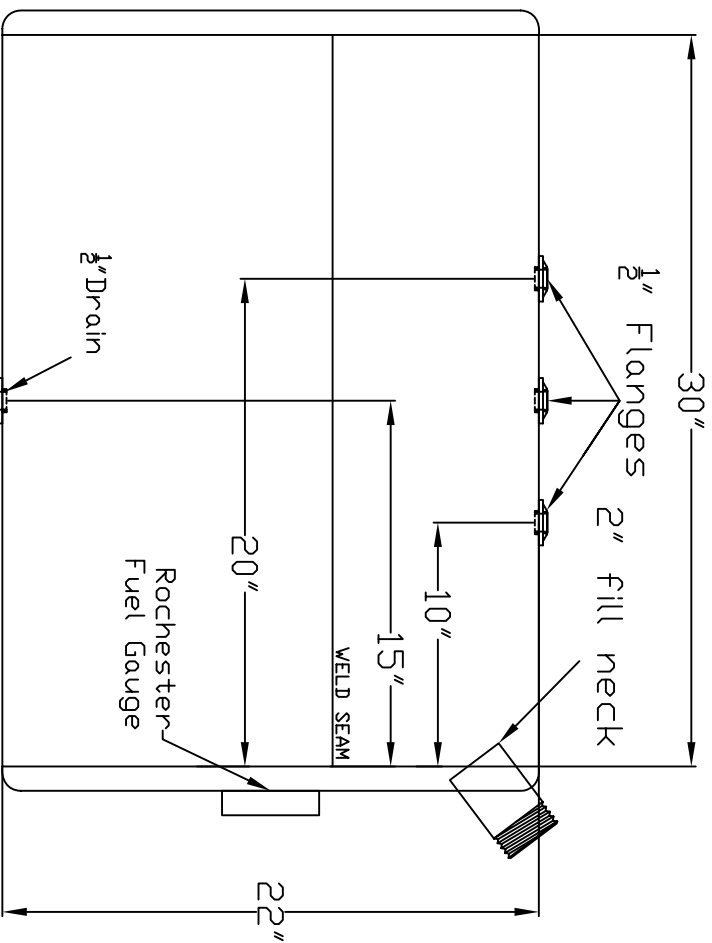
Shop #
Ship
Parts

Reefer Style

MILGRADE



All Sizes are NPTF unless otherwise noted.



CBH

Signature: _____

Date: _____

In an effort to ensure accuracy, please review your drawing dimensions and fitting sizes for possible errors or omissions. Call with any corrections before signing this drawing.