

# #102

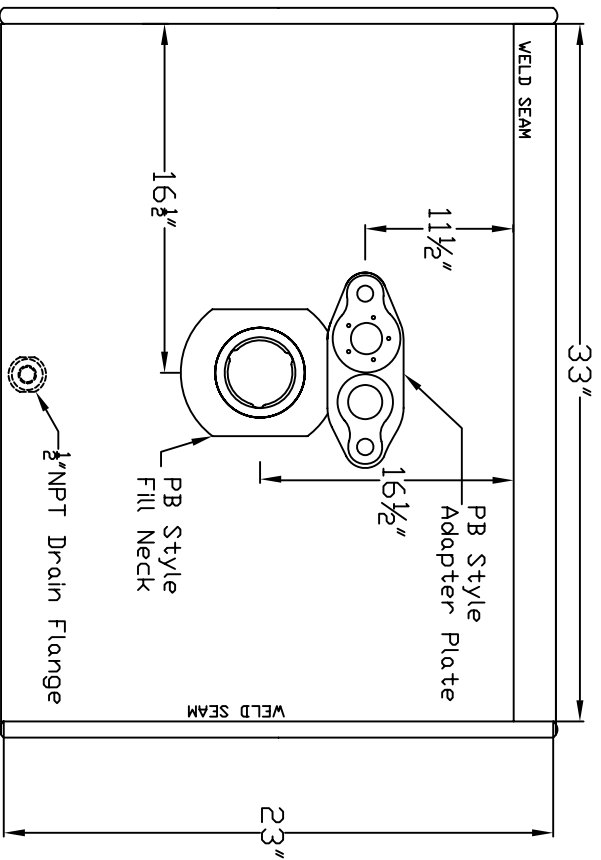
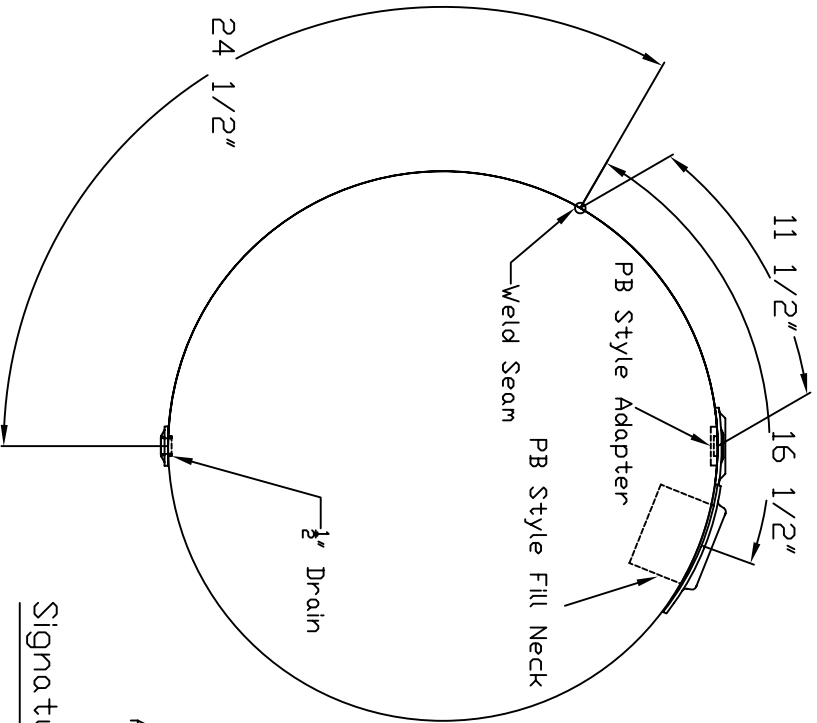
POLISHED

*Peterbilt Style*

No Parts

NOTE: 23" PB Style Tank  
with FLAT END CAPS!

TRUCK FRONT  
← EITHER SIDE →



All Sizes are NPTF unless otherwise noted.

Signature: \_\_\_\_\_

Date: \_\_\_\_\_

NO PARTS

In an effort to ensure accuracy, please review your drawing dimensions and fitting sizes for possible errors or omissions. Call with any corrections before signing this drawing.