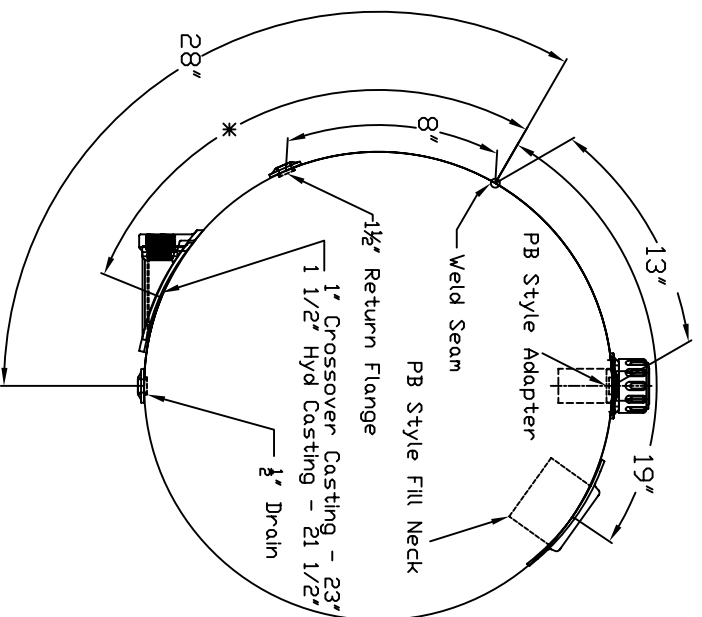


# #101

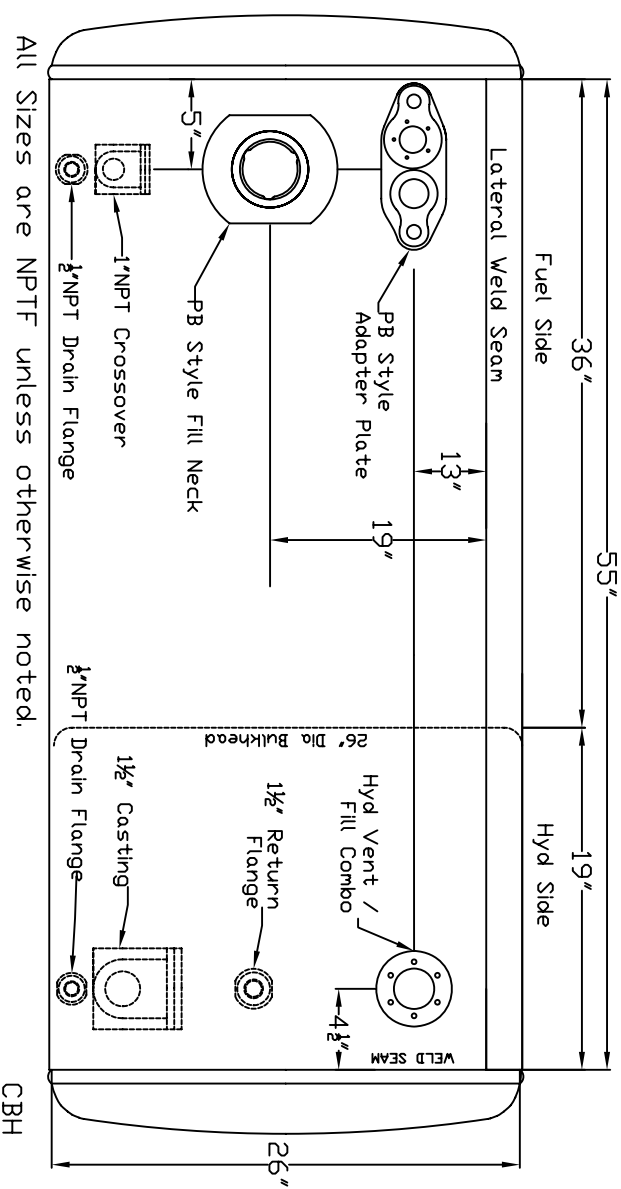
No Parts

MILGRADE

*Peterbilt Style*



No Parts



All Sizes are NPTF unless otherwise noted.

Signature: \_\_\_\_\_

Date: \_\_\_\_\_

In an effort to ensure accuracy, please review your drawing dimensions and fitting sizes for possible errors or omissions. Call with any corrections before signing this drawing.